

RECESS MOUNTED COMPACT WORK LAMP

R23 REVERSE APPROVED ✓



73120BM



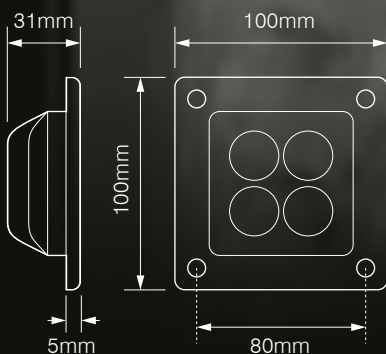
NEW

**Fully ECE
Approved
Reverse Lamp
ECE R23**



Tough Polycarbonate Lens

**Heavy-Duty E-Coated
Alloy Housing**



Cut Out Size
75 x 75mm



**Also available with
adjustable surface
mounting bracket:**

7312BM

LED:	4 x 3W
Dimensions (mm):	100 x 100 x 31
Voltage:	12/24V
Beam Type:	Flood
Approvals:	ECE R23, R10
Weight (kg):	0.2kg
Ingress Protection:	IP67
Raw Lumens:	660lm
Current Draw (10V / 80V):	0.59A / 0.27A
Warranty:	5 Years

